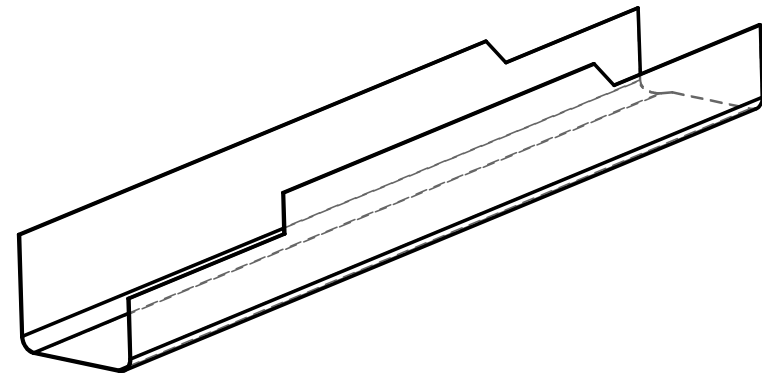
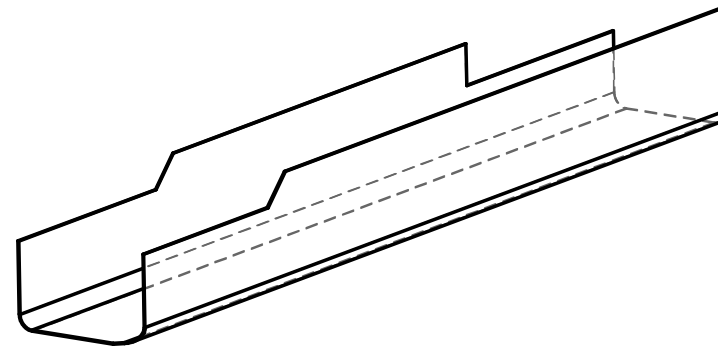


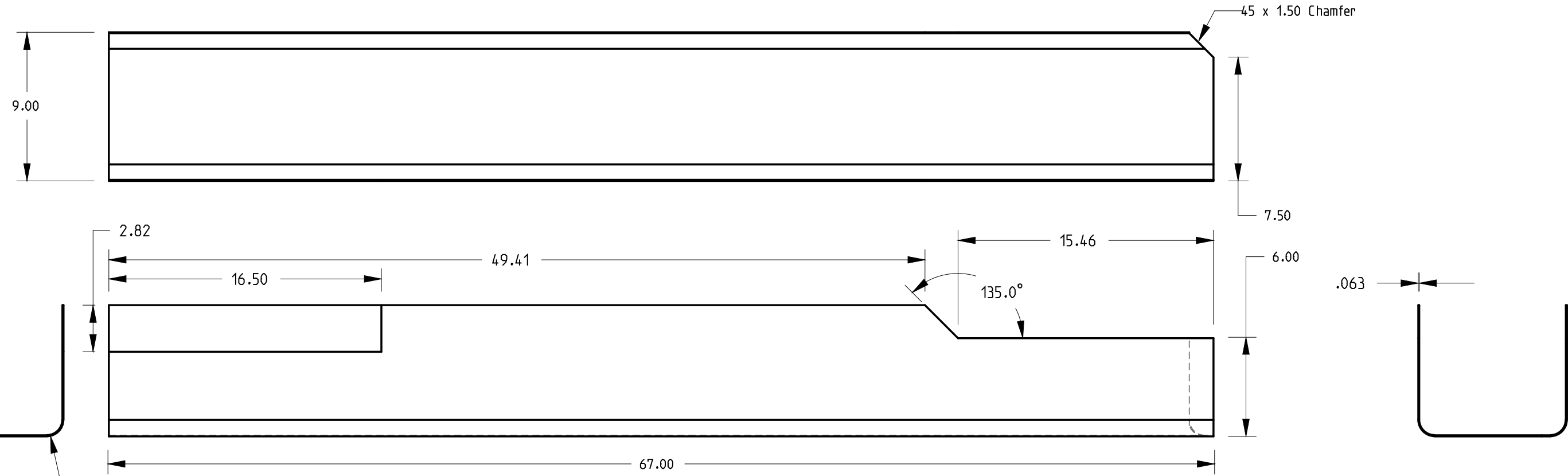
REV.	DESCRIPTION	DATE	APP.
A	FIRST RELEASE	6-Sept-2000	
B	Increased length of tank	16-Nov-2000	
C	Added rounded edges on base	25-Jan-2001	
D	Modified length dimensions	10-Sept-2001	
E	Changed location of fittings	10-Oct-2001	
F	Addition of manufacturing notes	22-Aug-2002	



SCALE 0.080



SCALE 0.080



- Notes:
1. Material Specifications: 16 guage, cold rolled SAE 1015 or A366 steel.
 2. The bottom and longitudinal sides are comprised of one bent piece of sheet stock.

DIMENSIONS: Inches	DRAWN BY:	BIOKINETICS	
SCALE: 0.150	M. Keown	and Associates Ltd.	
TOLERANCES	CHECKED:	69-XX	
DEC. .X± 0.100	DATE:	ASRI	
DEC. .XX± 0.050	2001-09-10	TANK_E	
DEC. .XXX±0.020	QTY 1	PART	
ANGLES° 0.5	MATERIAL:	FINISH	1/1
	see Note 1	see Note 1	DRAWING NO.
	DO NOT SCALE DRAWING		078-001